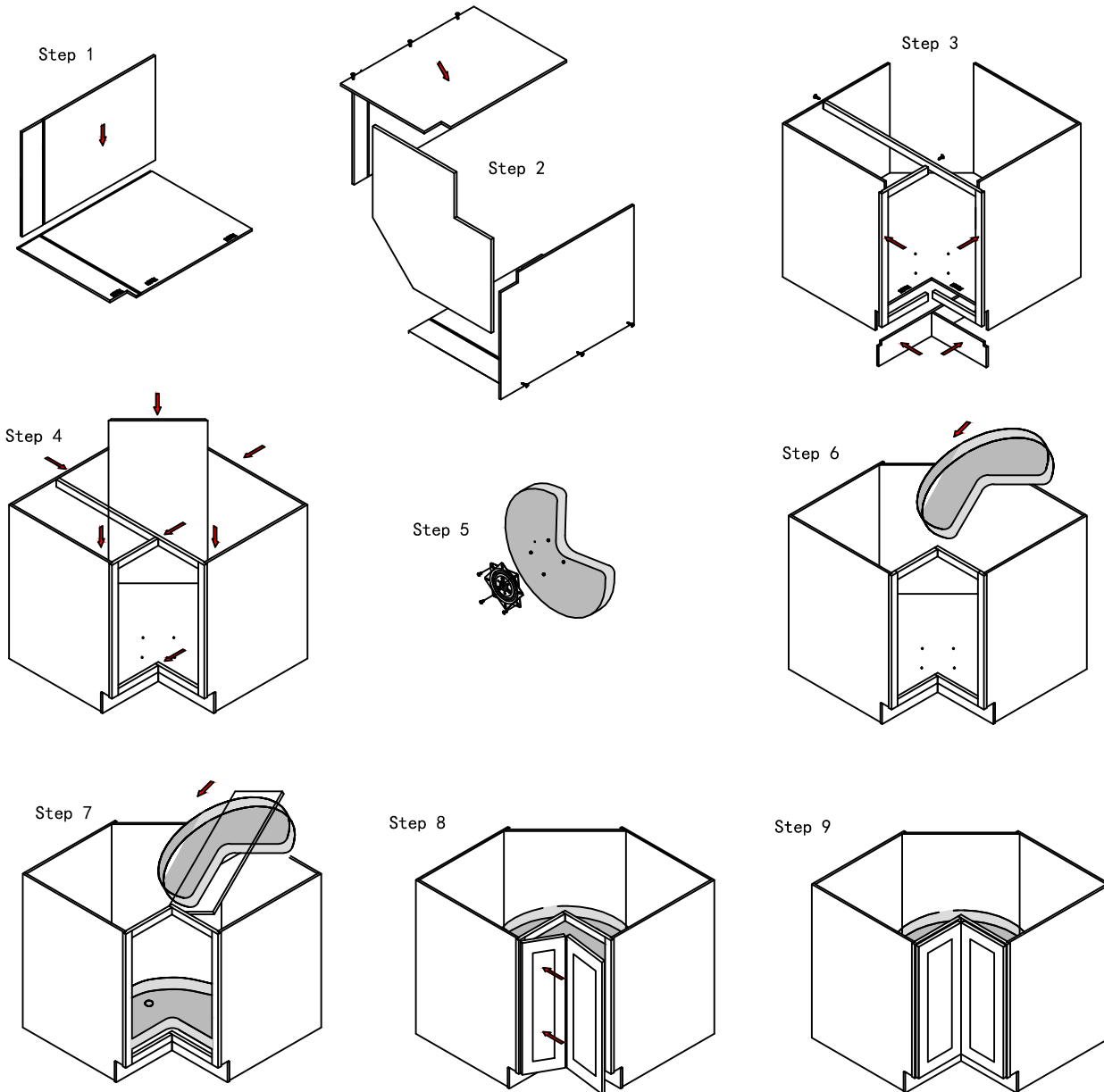


# ASSEMBLY INSTRUCTIONS

This instruction applies to the following items:

**BLS33、BLS36**



Description	Description
φ 3.5*12 SCREW	FOR SCREWING GLEAT AND BUCKLE
φ 3.5*16 SCREW	FOR SCREWING HINGE AND DOOR
φ 3.5*19 SCREW	FOR SCREWING HINGE AND FRAME, AND CORNER BLOCK
φ 3.5*25 SCREW	FOR SCREWING SIDE PANEL/BACK PANEL
φ 3.5*30 SCREW	FOR SCREWING THE SIDE PANEL/BACK PANEL TO THE TOP/BOTTOM PANEL